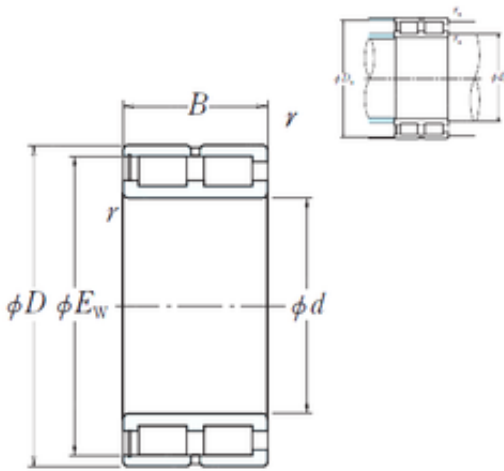




NNCF4984V NSK CYLINDRICAL ROLLER BEARING

Bearing No. NNCF4984V



NNCF4984V Bearing 2D drawings and 3D CAD models

Size	420x523x140 mm
Bore Diameter	420 mm
Outer Diameter	523 mm
Width	140 mm
d	420 mm
D	560 mm
Ew	523 mm
B	140 mm
C	140 mm
r min.	4 mm
Da	533 mm
ra max.	3 mm
da	445 mm
Weight	98,5 Kg
Basic dynamic load rating (C)	2290 kN