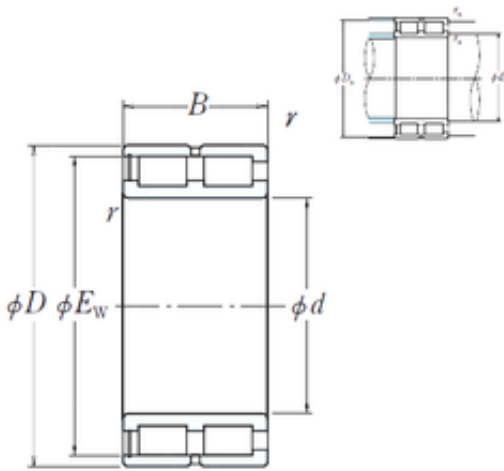




NNCF4880V NSK CYLINDRICAL ROLLER BEARING

Bearing No. NNCF4880V



NNCF4880V Bearing 2D drawings and 3D CAD models

Size	400x471.7x100 mm
Bore Diameter	400 mm
Outer Diameter	471,7 mm
Width	100 mm
d	400 mm
D	500 mm
Ew	471,7 mm
B	100 mm
C	100 mm
r min.	2,1 mm
Da	479 mm
ra max.	2 mm
da	420 mm
Weight	47,5 Kg
Basic dynamic load rating (C)	1290 kN