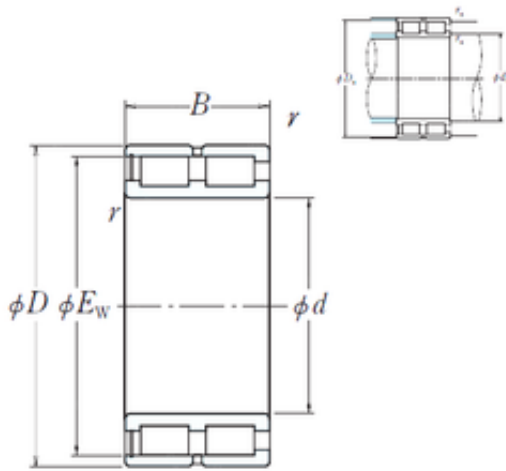




NNCF4972V NSK CYLINDRICAL ROLLER BEARING

Bearing No. NNCF4972V



NNCF4972V Bearing 2D drawings and 3D CAD models

Size	360x449x118 mm
Bore Diameter	360 mm
Outer Diameter	449 mm
Width	118 mm
d	360 mm
D	480 mm
E _w	449 mm
B	118 mm
C	118 mm
r min.	3 mm
Da	457 mm
ra max.	2,5 mm
da	381 mm
Weight	61 Kg
Basic dynamic load rating (C)	1730 kN