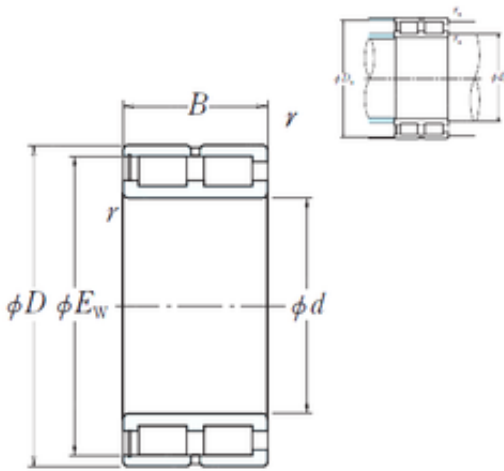




NNCF5044V NSK CYLINDRICAL ROLLER BEARING

Bearing No. NNCF5044V



NNCF5044V Bearing 2D drawings and 3D CAD models

Size	220x312.3x160 mm
Bore Diameter	220 mm
Outer Diameter	312,3 mm
Width	160 mm
d	220 mm
D	340 mm
Ew	312,3 mm
B	160 mm
C	160 mm
r min.	3 mm
Da	320 mm
ra max.	2,5 mm
da	238 mm
Weight	50,7 Kg
Basic dynamic load rating (C)	1890 kN