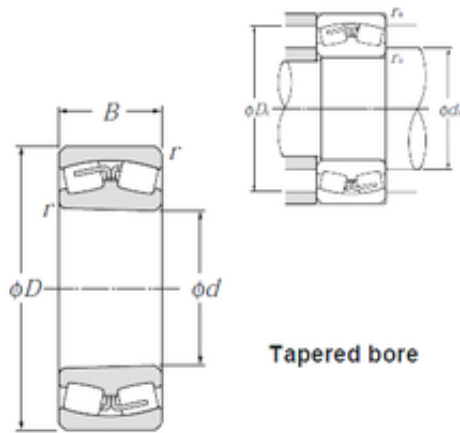




23952K NTN Spherical Roller Bearings



Bearing No. 23952K

Size	260x360x75 mm
Bore Diameter	260 mm
Outer Diameter	360 mm
Width	75 mm
d	260 mm
D	360 mm
B	75 mm
C	75 mm
r min.	2,1 mm
da min.	272 mm
Da max.	348 mm
ra max.	2 mm
Weight	23,3 Kg
Basic dynamic load rating (C)	760 kN
Basic static load rating (C0)	1 580 kN
(Grease) Lubrication Speed	920 r/min
(Oil) Lubrication Speed	1 200 r/min
Calculation factor (e)	0,19
Calculation factor (Y0)	3,45
Calculation factor (Y1)	3,53

23952K Bearing 2D drawings and 3D CAD models