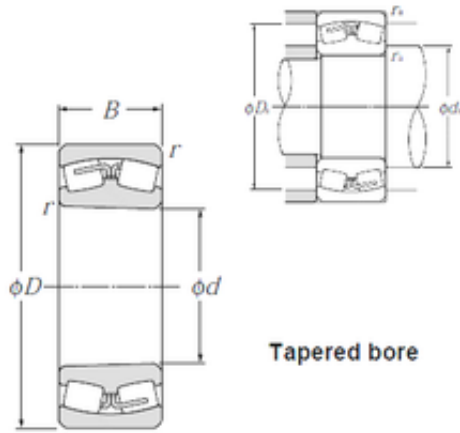




23022BK NTN Spherical Roller Bearings



Bearing No. 23022BK

23022BK Bearing 2D drawings and 3D CAD models

Size	110x170x45 mm
Bore Diameter	110 mm
Outer Diameter	170 mm
Width	45 mm
d	110 mm
D	170 mm
B	45 mm
C	45 mm
r min.	2 mm
da min.	120 mm
Da max.	160 mm
ra max.	2 mm
Weight	3,58 Kg
Basic dynamic load rating (C)	282 kN
Basic static load rating (C0)	455 kN
(Grease) Lubrication Speed	2 200 r/min
(Oil) Lubrication Speed	2 800 r/min
Calculation factor (e)	0,26
Calculation factor (Y0)	2,53
Calculation factor (Y1)	2,59